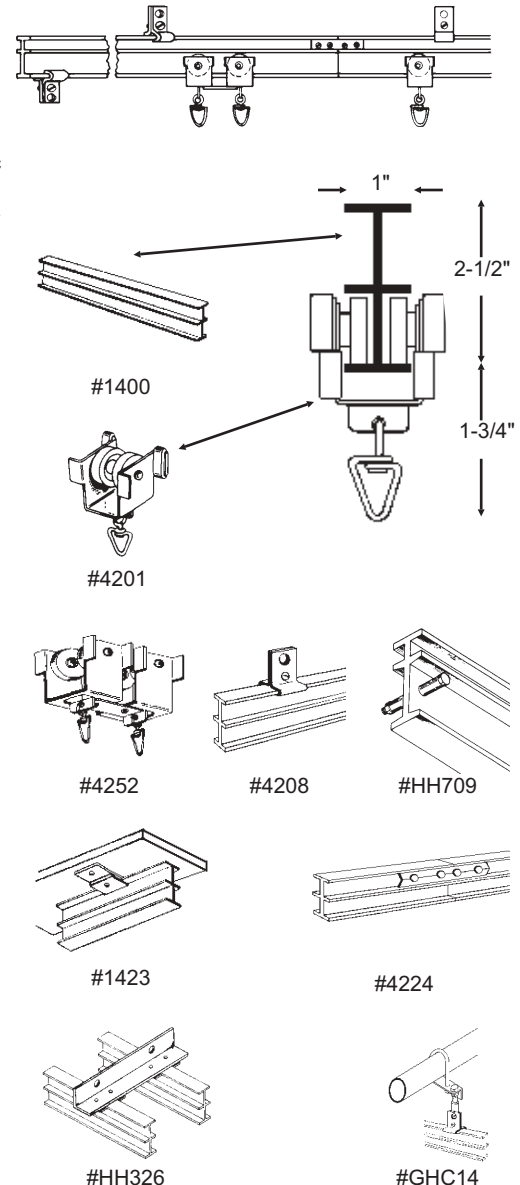


### RIG-I-FLEX TRACK #1400 SERIES:

An extruded aluminum I-beam style curtain track for use in TV studio cyclorama track systems. Curtains are pulled along the track by hand (no cords). Track will span 4' to 6' between supports. The track channel can be formed into curves at our factory or on site (bending tool required). May be attached to lighting grid pipes, walls, or ceiling using optional hardware.

Curtain carriers are usually spaced on 12" centers along curtains. Economy carriers have plastic wheels. Standard carriers with nylon tired ball-bearing wheels are easy rolling, but slightly noisier. Premier carriers with neoprene tired ball-bearing wheels are quietest. Master carriers with 4 wheels are used only at the beginning and end of heavy or very large curtains.

Catalog No.	Description	Price
#1400	TRACK CHANNEL: Extruded aluminum, 11 gauge, mill finish, is available in unspliced lengths up to 20'.	\$ 5.53/ft
#4201	STANDARD CARRIER: Plated steel frame with 2 nylon tired ball-bearing wheels, plated swivel, and 2 rubber bumpers.	\$ 9.17
#4237	ECONOMY CARRIER: with non-ball-bearing nylon wheels.	\$ 6.65
#4252	STANDARD MASTER CARRIER: Same construction as #4201 single carrier.	\$ 26.80
#4253	ECONOMY MASTER CARRIER: Same construction as #4237 single carrier.	\$ 22.69
#HH328	PREMIER CARRIER: Plated steel frame with 2 neoprene tired ball-bearing wheels, plated swivel, and 2 rubber bumpers. Includes 3" trim chains.	\$ 15.00
#HH629	PREMIER MASTER CARRIER: Same construction as #HH328 single carrier. Sold in pairs only	\$ 72.00/pr
#4208	HANGING CLAMP: For suspended track installations. Recommended spacing is 4' to 6' with additional hangers required around curves. May also be used in an inverted position on the bottom of the track as an end stop.	\$ 1.63
#1423	CEILING CLAMP: Used to mount track directly against the underside of a ceiling or other surface. Top plate is mounted first with screws, toggle bolt, or a flat headed bolt, then the track channel is clamped to the top plate with furnished clips.	\$ 7.31
#4224	SPLICING CLAMP: Used to join two sections of track.	\$ 4.48
#HH709	END STOP: Bolts thru end of track	\$ 1.69
#HH326	DOUBLE TRACK HANGER BAR, black painted angle bar with black mounting clips for two tracks. 6" track spacing	\$ 21.60
#HH327	DOUBLE TRACK HANGER BAR, 8" spacing	\$ 21.60
#TS328	DOUBLE TRACK HANGER BAR, 12" spacing	POR
#TC1	TRIM CHAIN: A 3" to 12" length of jack chain attached to each curtain carrier. Used to adjust the height of curtain to accommodate stretch or shrinking. Specify length when ordering.	\$.75/3"
#GHC14	GRID HANGER CLAMP: use to attach #1400 track directly below light grid pipes. Is adjustable for use on both upper and lower pipes, and curves. Includes #4208 hanging clamp. Specify size of pipe when ordering. Also available with optional extension rod to support track a specific distance below light grid pipes.	\$ 13.00



### BLACK FINISH TRACK COMPONENTS:

For visually critical applications, the #1400 track channel can be supplied with an anodized matte black finish. Carriers and walk-a-long masters have black wheels, black bodies, and include 3" black trim chain. Track hangers, splices, and even switches are also black.

Catalog No.	Description	Price
#HH316B	BLACK CARRIER, nylon tired ball-bearing wheels	\$ 10.72
#HH347B	BLACK MASTER CARRIER, nylon tired ball-bearing wheels	\$ 62.40/pr
#HH328B	BLACK PREMIER CARRIER, neoprene tired ball-bearing wheels	\$ 16.00
#HH349B	BLACK PREMIER MASTER CARRIER, neoprene tired ball-bearing wheels. Sold in pairs only	\$ 76.80/pr
#HH310B-20	Black track channel, 20 ft. length only	\$ 152.00
#HH306B	BLACK TRACK HANGER	\$ 1.88
#HH307B	BLACK SPLICE CLAMP	\$ 6.40
#HH321B	BLACK END STOP, sold in pairs	\$ 4.12/pr
#HH311B	BLACK CEILING CLAMP	\$ 8.60
#HH335B	BLACK TRIM CHAIN, extra length per 3" increment	\$ .80/3"

**ADDITIONAL MOUNTING  
HARDWARE FOR  
CURTAIN TRACKS  
INCLUDING:  
Wall Brackets,  
Grid Clamps,  
Hanger Rods, etc.  
is available.**

*Please inquire*