

## PHOTOGRAPHIC BACKDROP STANDS:

Lightweight telescoping stands with crossbars can hold rolls of seamless background paper, painted backdrops, or curtains. May also be used for portable video "keying" backdrops for location interviews. Curtains are available separately. Stands are made in USA.

### DL/BG-3CB STAND SET:

Deluxe set includes two stands with heavy duty, braced tripod bases, and three telescoping 3-section crossbars. Silver colored aluminum construction. Included in the set are two pair of #BG-A clamps which permit locating two of the crossbars at any location on the 7/8" diameter upper vertical poles. Safe-lock clutch collars on each stand allow infinite adjustment of the height, and provide secure locking. Height is adjustable from 54" to 98". Width is adjustable from 56" to 151". Weight of set is 15 lbs.

### DL/BG-1CB Stand Set:

Same as above, except includes two stands and only one crossbar. Additional crossbars may be added later. Weight is 11 lbs.

### BGS STAND SET:

Economy stand set includes two stands with tripod bases and one telescoping 2-section aluminum crossbar. Stands constructed of chrome finish, square steel tubing uprights, and black finish steel legs. Push-button lock on each stand holds uprights at preset heights. Height is adjustable from 51" to 100". Width is adjustable from 63" to 116". Weight of set is 12 pounds.

Catalog #	Description .....	Price
#DL/BG-3CB	Deluxe stand set with 3 crossbars.....	\$ 289.00
#DL/BG-1CB	Standard stand set with 1 crossbar.....	\$ 191.00
#BGS	Economy stand set with 1 crossbar.....	\$ 116.00

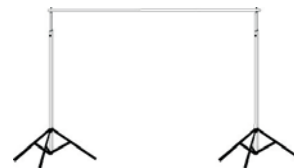
## ACCESSORIES:

Accessories for the DL/BG series stands include wall brackets, telescoping aluminum crossbars, and crossbar clamps.

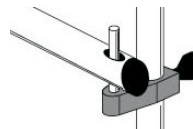
Catalog #	Description .....	Price
#BG-A	Set of 2 clamps fit top section (7/8" dia. tube) of stand to attach a crossbar. NOT for economy BGS stand.....	\$ 36.95
#BG-M1	Wall bracket for a single crossbar has cast aluminum flange, tubing, and 3/8" dia. Stud. Set of 2.....	\$ 49.95
#BG-M2	Wall bracket for two crossbars has aluminum bracket and 2 pair of #BG-A clamps. Set of 2.....	\$ 105.95
#2-CB	Crossbar, 2 sections, adjusts from 63" to 116" ..	\$ 50.70
#3-CB	Crossbar, 3 sections, adjusts from 56" to 156" ..	\$ 63.70



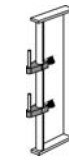
DL/BG-3CB



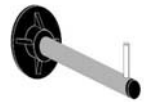
DA-BGS



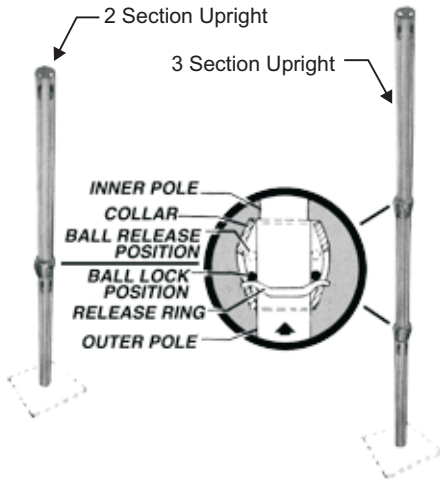
BG-A



BG-M2



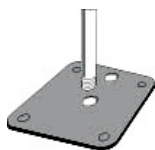
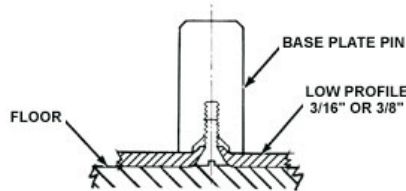
BG-M1



Adjustable telescopic upright with clutch collar. Height is continuously adjustable.



Low profile base with pin for upright pole. 18" x 18" base shown with 3 pin locations.



Older style threaded bases and upright poles are available, as well as adapter pins to convert older bases with threaded hole to newer uprights.



Saddlebag sand bag filled

### Telescopic upright poles:

Have an automatically locking clutch collar which permits adjusting the height of the upright to any position within the height range of the upright. Lift the top pole to raise - lift the locking ring to lower the pole. Upright poles are fabricated from heavy duty anodized aluminum tubing, with a 2" dia. for the bottom section. Uprights have 4 vertical slots at top to attach drape poles, and uprights 6' and higher have another set of 4 slots at 3' height for railings. Poles slip over a steel pin attached to flat steel bases. Two section uprights are available 3' to 26' in height. Three section uprights are available 5' to 23' in height.

TS0058	Telescopic upright, two section, 5' to 8'	\$ 70.80
TS0610	Telescopic upright, two section, 6' to 10'	\$ 78.10
TS0712	Telescopic upright, two section, 7' to 12'	\$ 85.30
TS0814	Telescopic upright, two section, 8' to 14'	\$ 92.50
TS0916	Telescopic upright two, section, 9' to 16'	\$ 99.80

### Standard non-adjustable uprights:

Are single sections of anodized aluminum tubing at specific lengths of 3', 6', 8', 10' or 12' height for 1-1/2" dia. poles and 3', 6', or 8' for 2" dia. poles. 3' uprights are used to support drape poles at railing height and include chrome cap at top. Custom lengths can be fabricated on request

SU0315	Standard upright, 1-1/2" dia., 3' high	\$ 9.50
SU0815	Standard upright, 1-1/2" dia., 8' high	\$ 20.80
SU0815-2	Special compact upright, 1-1/2" dia., 8' high has 2 sections that join together. Max. section length is 51" for compact storage and economical shipping	\$ 26.90
SU0320	Standard upright, 2" dia., 3' high	\$ 12.40
SU0820	Standard upright, 2" dia., 8' high	\$ 26.10

**Black anodized finish is available for all upright poles at additional cost.**

### Flat Bases:

Low profile flat bases are fabricated from zinc plated steel. The base includes a steel pin that fits into the bottom of the upright poles. The pin attaches to the base with a flat head bolt from the bottom, and can be positioned in several locations on the base. The base is shipped without the pin attached. **Specify 1-1/2" dia. or 2" dia. pin to match the upright pole.** Bases 8"x 14" and 14" x 16" include 2 holes for pin and stacking slot. Bases 18" x 18" and 24" x 24" include 3 holes for pin.

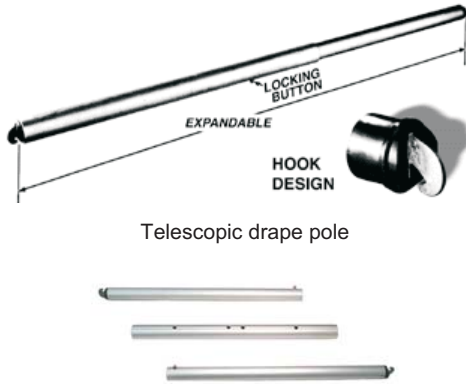
Cat #	Size	Thick	weight	Use with upright	Standard Pin	Price
B0814	8" x 14"	3/16"	6 lbs	3'	1-1/2" x 4"	\$ 15.50
B1416	14" x 16"	3/16"	12 lbs	8'	1-1/2" x 4"	\$ 22.80
B1818	18" x 18"	3/16"	17.5 lbs	up to 12'	2" x 4"	\$ 47.40
B181838	18" x 18"	3/8"	35 lbs	up to 16'	2" x 6"	\$ 79.20
B2424	24" x 24"	3/16"	31 lbs	up to 18'	2" x 8"	\$ 75.70
B242438	24" x 24"	3/8"	62 lbs	up to 24'	2" x 8"	\$ 169.60

### Need more weight?

Sand bags are an easy way to increase stability of the tall upright poles or in situations where the curtains are subjected to wind. Our Velcro (fly-a-way) style sandbags are shipped empty so you avoid paying to ship heavy sand. Sand is cheaper than steel bases. You purchase dry playsand at a local store, fill the bags yourself, and press the velcro flaps closed. No sewing is necessary. The Velcro style bag can hold up to 30 lbs of sand (15 lbs. each side)..

SBC-VEL	Saddlebag style sand bag with two Velcro strip closures. Sold empty.....	\$ 36.00
---------	--	----------

**We have filled sandbags in a range of styles and weights on our [sandbag family catalog page](#).**



Telescopic drape pole



Special 3 piece drape pole

### Telescopic drape poles:

Are fabricated of clear anodized aluminum tubing with a ridge to keep inner and outer poles aligned. Outer poles are 1.54" dia. Steel hooks at each end fit into slots on upright poles. Locking button stops poles at specific distances.

TDS0023	Drape pole, two section, 2' to 3', stop at 3' .....	\$ 15.80
TDS0035	Drape pole, two section, 3' to 5', stop at 5' .....	\$ 20.40
TDS0047	Drape pole, two section, 4'-2" to 7', stop at 6', 7' .....	\$ 25.10
TDS0058	Drape pole, two section, 5'-2" to 8', stop at 8' .....	\$ 29.70
TDS0681	Drape pole, two section, 6'-2" to 10', stops at 8', 10' .....	\$ 32.60
TDS0712	Drape pole, two section, 7'-2" to 12', stops at 10', 12' .....	\$ 37.10
TDS8024	Drape pole, two section, 8'-2" to 14', stops at 10', 12', 14' .....	\$ 43.30
TDS9246	Drape pole, two section, 9'-2" to 16', stops at 12', 14', 16' .....	\$ 47.80
TDS0081	Special 3 piece drape pole for compact storage (only 49") and shipping. Has button stops for 8' or 10' length when assembled.	\$ 41.30

**Black anodized finish is available for all drape poles at additional cost.**

### Curved drape pole:

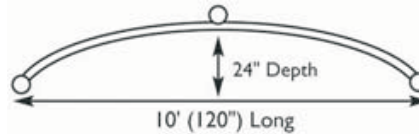
Two curved sections and a central joiner piece form an arc curve 10' wide and 2' deep. Requires 3 uprights and bases. Length is not adjustable. Central joiner can be installed so its support pole is inside or outside of circle. Four sets can be joined together to make a complete circle 14'-6" in dia. May also be used with additional curved pole sets or straight poles to create different shapes.

301010	Curved drape pole, set of 3 pieces (uprights and bases not incl.)	\$ 102.20
--------	---	-----------

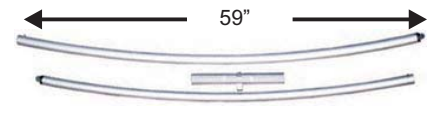


Curved drape pole with 3 uprights and bases

Curved drape pole with curtains installed



Plan view of curved drape pole



Curved drape pole dis-assembled

### Column Cover Drape Pole:

Two semi-circular sections form a complete circle to fit around structural columns or other objects. Clear anodized tubing is 1-3/8" dia. Requires 4 uprights and bases. The two uprights that support the center of each half are inside the circle, so drape can continue past the poles. Can be combined with straight drape poles to form oval or other layouts. Other uses might be a kissing booth, hide obscene sculptures, a small dressing cabanna, or, well, whatever suits your fancy.

301033	Column cover 3' dia. , set of 2 pieces (uprights and bases not incl.)	\$ 131.00
301034	Column cover 4' dia. , set of 2 pieces (uprights and bases not incl.)	\$ 131.00
401035	Column cover 5' dia. , set of 2 pieces (uprights and bases not incl.)	\$ 131.00



Column cover with drapes

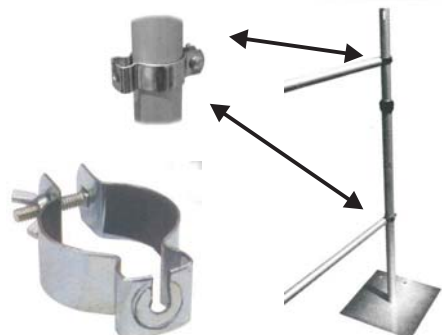


Column Cover with 4 uprights and bases

### Adjustable Crossbar Clamp:

Plated steel clamp fits around upright pole to permit attaching a drape pole at any height. Clamp has wing-nut and bolt to tighten and rubber pads to prevent slippage and tube damage. Two sizes to fit poles from 1-1/2" to 2" dia. Could be installed upside down to tension drape pole in bottom pocket of drapes. 30 lbs max load. Sold individually. Two required for each drape pole.

110098	Adjustable crossbar clamp fits all 2 piece uprights, 2" dia uprights, or bottom and mid-section pole of 3 piece uprights.....	\$ 7.40
110099	Adjustable crossbar clamp fits all 1-1/2" dia uprights, or 1-5/8" dia. top pole of 3 piece uprights .....	\$ 7.40



Adjustable Crossbar Clamp

Upright with 2 clamps installed

**Used in combination with othe drapery poles, you could create backdrops with sections at different heights, or even doorway openings**