

RotoDraper Pivot Arms:

Are used for adjustable positioning of side leg curtains. May also be used to support and rotate double sided scenery and flats. Standard models permit 360° rotation and travel on and off stage on tracks (not included). Maximum recommended curtain size is 8' wide and 75 pounds.

Models with "-A" include an index plate with spring loaded roller to hold the rotation at 15° increments. To rotate, simply pull on the curtain or pull ropes (optional) attached to each end of the pipe batten.

Releasable spring loaded friction brake is available factory installed to prevent the RotoDraper from drifting along the track. The brake is released by pulling down on a rope (not included) attached to the brake.

Each RotoDraper includes a pair of clamps to hold a curtain pipe (specify 1", 1-1/4" or 1-1/2" pipe size), two #400 clamps to prevent curtain ties from sliding off the ends of pipe and to attach pull ropes, and two safety orange plastic end caps (1" or 1-1/4" size only). Curtain pipes and pull ropes are not included in price of RotoDraper.

A pair of safety end stops (bolts and nuts) is also included with each RotoDraper and must be installed at each end of the track by drilling holes in the sides of the track.

Catalog No.	Description	PRICE
#06	For fixed mounting on a pipe batten. <i>Specify the size of the support pipe batten when ordering.</i> Can also be adapted for fixed mounting directly to building structure or metal strut (Unistrut, Kindorf, etc.)	\$ 101.65
#06-A	#06 with index plate	\$ 130.32
#14	For #140 or #1400 series tracks	\$ 157.64
#14-A	#14 with index plate	\$ 208.23
#17	For #170 or #1700 series tracks	\$ 117.45
#17-A	#17 with index plate	\$ 155.96
#28	For #280 or #2800 series tracks	\$ 123.15
#28-A	#28 with index plate	\$ 160.43
#401	Rolling brake for #28 type RotoDrapers. Factory installed	\$ +35.44
#402	Rolling brake for #6, #14, or #17 type RotoDrapers. Factory installed	\$ +19.05
#400	C-clamp for ends of RotoDraper curtain pipe (2 included with each RotoDraper)	\$ 3.42
#PB-4	Curtain pipe batten, 1" size, per foot	\$ POR
#PB-3	Curtain pipe batten, 1-1/4" size, per foot	\$ POR

Repair Parts For RotoDrapers:

Replacement wheel assemblies and pipe batten clamps are available to repair old RotoDraper assemblies, or to convert from one type of track to another. Prices on request.

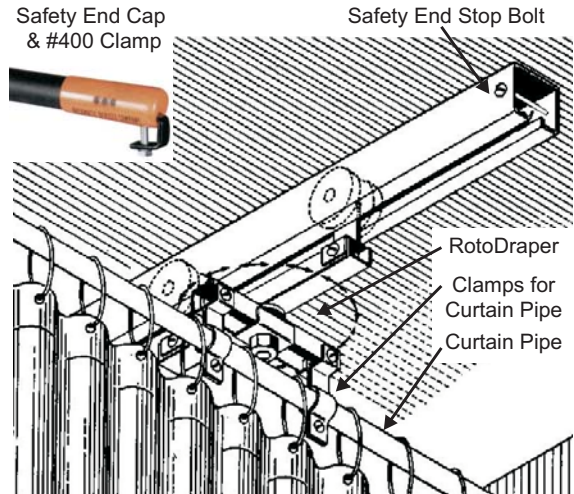
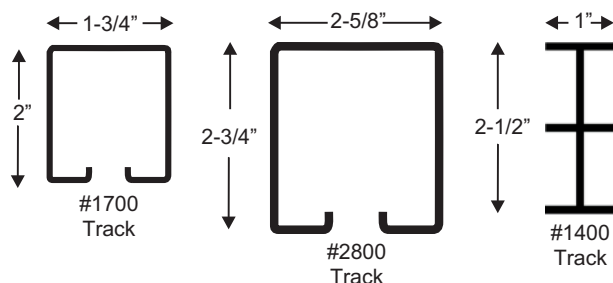
Track for RotoDrapers:

Track is available in various stock lengths from 16' to 20' and in cut lengths to order. Per/foot prices for track channel and other necessary hardware can be found on the catalog pages for each model track. Links are listed below.

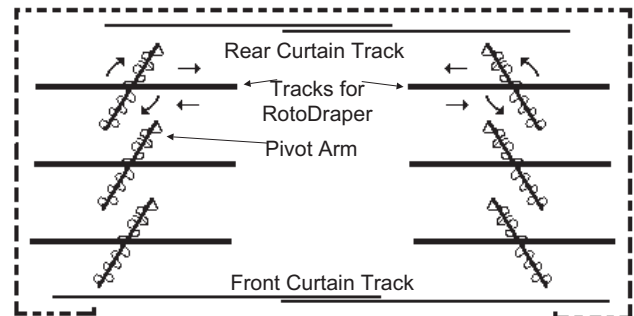
#1700 (#170 series) steel box track channel

#2800 (#280 series) steel box track channel

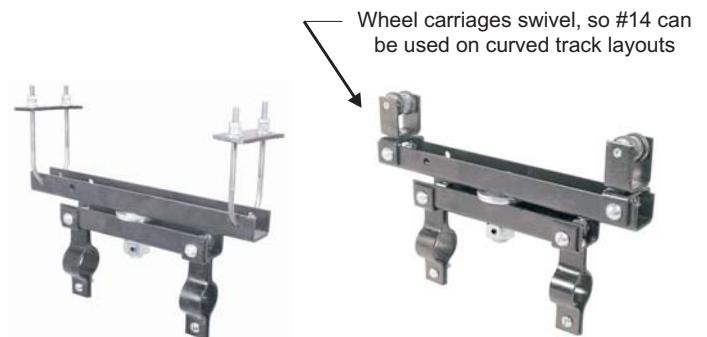
#1400 (#140 series) extruded aluminum I-beam style track channel



#28 RotoDraper in #2800 track



Plan View of Stage Using RotoDrapers for Side Leg Curtains



#06

#14

#17 RotoDraper looks same as #28, but with smaller wheels

