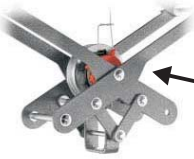




FF3512N86 (Top 2C)



FF3514N86 (Top 4C)



Bottom of Pantograph

Notched wheel
adjusts friction to
hold load in place



FF3533 Blue Spring



FF3531 Red Spring



FF3249



FF3248



C210 with stud



SA-32C
Clamp



SA-22C
HD Clamp



E250 Double
Male Stud

PANTOGRAPHS:

Manual spring balanced lifting devices for supporting light fixtures in video and photo studios. Two sets of aluminum arms, 6" apart provide stable support. A 2 mm steel cable running thru the pantograph and adjustable friction clutch mechanism at bottom of pantograph can securely hold in place loads from 0 to 26 lbs. Optional color coded tension springs (recommended) are used to balance the weight of the load, so the lights can easily be lifted and lowered. See chart for selecting springs.

Pantographs are equipped with 5/8" dia. socket at top, 5/8" stud at bottom, and a safety cable. Use #C210 lighting clamp with 5/8" stud (or similar) to hang pantograph from light grid. Plastic clips on pantograph arms are used to "zig-zag" power cable (not included) from top of pantograph to bottom to power light fixture.

Pantographs are available in two lengths. Short model (Top 2C) is 79" long (2m) extended and 10.7" retracted. Long model (Top 4C) is 150" long (3.8m) extended and 15" retracted.

Pantographs are made in Italy and prices may be subject to change from those shown below.

- FF3512N86 Top 2C pantograph, 79" extended. Uses red colored springs\$ 425.00
- FF3514N86 Top 4C pantograph, 150" extended. Uses blue colored springs\$ 655.00

Spring Type	Counter Balanced Weight
Without any spring	From 0 to 8.8 lbs.
(1) Type 4 spring	From 6.6 to 17.6 lbs.
(2) Type 4 springs	From 17.6 to 30.8 lbs.
(1) Type 12 spring	From 19.8 to 35.3 lbs.
(1) Type 4 + (1) Type 12 spring	From 28.8 to 39.7 lbs.

- FF3531 Spring type 4 red (for Top 2C).....\$ 74.00
- FF3532 Spring type 12 red (for Top 2C).....\$ 92.00
- FF3533 Spring type 4 blue (for Top 4C)\$ 79.00
- FF3534 Spring type 12 blue (for Top 4C)\$ 92.00

TELESCOPIC POSTS:

Variable length telescopic square posts are equipped with a locking clutch at the bottom to hold the light in position. An internal spring loaded cable assists with lifting the light. Maximum load is 26 lbs. Equipped with 5/8" sockets top and bottom. Use lighting clamp with 5/8" male stud to hang post from lighting grid and a double male adapter to attach light (with 5/8" socket) to bottom of post.

- FF3249 Telescopic post, extends 24" to 51" in length\$ 248.00
- FF3248 Telescopic post, extends 34" to 81" in length\$ 257.00

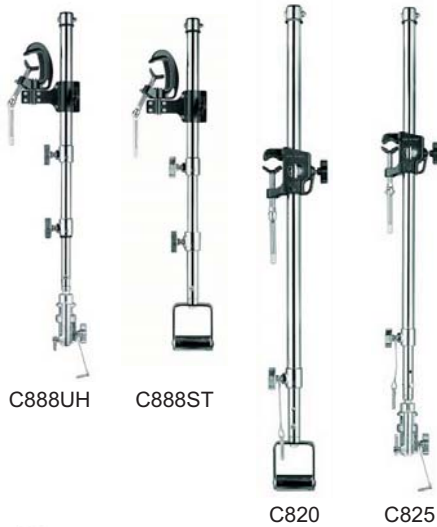
EXTENSION TUBES:

Fixed length extension tubes may be used to hang lights below a grid or extend the height of a light stand. Fixed length tubes have 5/8" female sockets at each end. Not load rated. Use lighting clamp with 5/8" male stud to hang tube from lighting grid and a double male adapter to attach light (with 5/8" socket) to bottom of tube.

- FF3240 Extension tube, 20" length\$ 35.00
- FF3242 Extension tube, 39" length\$ 50.00

Accessories For Light Lifts:

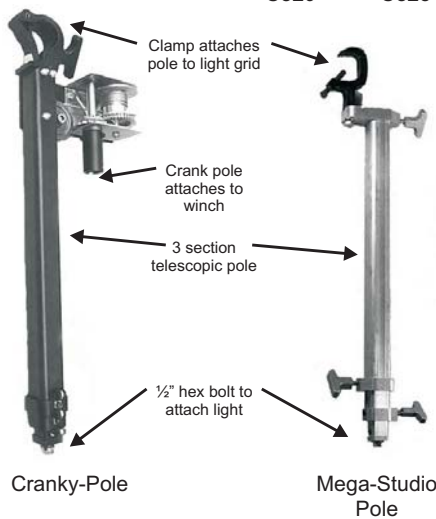
- C210 Avenger TV/Film style "no tools needed" clamp with 5/8" stud. Rated at 220 lbs. Fits 3/4" to 1.5" size (2.0" od) pipes. Includes safety cable. \$ 55.00
- SA-32C Standard duty lighting clamp with 5/8" male stud fits 3/4" to 1.5" size (2.0" od) pipe\$ 39.00
- SA-22C Heavy duty theatrical lighting clamp with 5/8" male stud fits 3/4" to 2" size (2.5" od) pipe\$ 42.58
- E250 Double ended male 5/8" adapter, solid steel, aprox. 5.5" long\$ 7.00



Telescopic Hangers:

Manual light hangers are used to support light fixtures at adjustable heights below a light grid or light pipe. Each has a clamp bracket to attach to a pipe (.8" to 2" dia) and a two or three section telescopic vertical pole to support the light. There must be a vertical space above the light grid or pipe for the telescopic pole if the pole and light are fully raised. Models with a stirrup at the bottom are for use with lighting c-clamps and have max load capacity of 88 lbs. Models with universal head at bottom have socket for 1-1/8" light stud (max cap 88 lbs) and a retractable 5/8" light stud (max cap 22 lbs), Triple section telescopic hangers take up less vertical space. Avenger brand.

C820	Telescopic hanger with stirrup, 46" to 77" extension	\$ 203.00
C822	Long telescopic hanger with stirrup, 83: to 149" extension	\$ 226.00
C825	Telescopic hanger with universal head, 48" to 79" extension.....	\$ 206.00
C827	Telescopic hanger with universal head, 83" to 150" extension.....	\$ 235.00
C888UH	Triple section telescopic hanger with universal head, 30" to 63" extension	\$ 235.00
C888ST	Triple section telescopic hanger with stirrup, 30" to 63" extension ..	\$ 229.00



Cranky-Pole Light Lift:

The Cranky-Pole is a telescopic pole used to support a light fixture from a lighting grid, and is raised and lowered by a hand cranked winch. A crank pole (not included) is hooked onto the shaft of the winch from the floor below, and then cranked (rotated) to operate the winch. The winch brake mechanism securely holds the load in place. The telescopic pole is fabricated of square aluminum tubing, so the pole will not rotate. An extruded aluminum clamp at the top attaches the Cranky-Pole to a light grid pipe. Bottom of pole has 1/2" threaded hole and hex bolt to attach light fixture and an attached safety cable (not shown). Rated for 125 lb load.

MCP 2.5	Cranky-Pole, 2' to 5' extension.....	\$Disc
MCP 3.5	Cranky-Pole, 3' to 8' extension.....	\$Disc
MCP 4.11	Cranky-Pole, 4' to 11' extension.....	\$Disc
MCP 5.14	Cranky-Pole, 5' to 14' extension.....	\$Disc
MCP2.4	Hand crank pole to operate Cranky-Pole, 24" to 44" long	\$Disc

Mega Studio Pole Telescopic Hanger:

A triple section telescopic pole to adjust height of light fixtures below a lighting grid or light pipe. Manually raised and lowered by hand. Sliding the pole fully upward above the grid will bring the light fixture yoke to approx. 1' below the pipe grid (space above the grid must be available for the pole to be fully raised). Available in sizes from 2' to 14' extended. The telescopic pole is fabricated of square aluminum tubing, so the pole will not rotate. An extruded aluminum clamp at the top fits pipes sizes from 1" to 2" (1.3" to 2-3/8" o.d.) and attaches the Mega-Studio pole to a light grid pipe. Bottom of pole has 1/2" threaded hole and hex bolt to attach light fixture. Rated for 100 lb load.

MSP1.4	Mega Studio pole, 22" to 4', plain aluminum finish	\$Disc
MSP1.5	Mega Studio pole, 26" to 5', plain aluminum finish	\$Disc
MSP1.6	Mega Studio pole, 30" to 6', plain aluminum finish	\$Disc
MSP1.6B	Mega Studio pole, 30" to 6', black anodized finish	\$Disc
MSP1.8	Mega Studio pole, 38" to 8', plain aluminum finish	\$Disc
MSP1.10	Mega Studio pole, 46" to 10', plain aluminum finish	\$Disc
Other sizes priced on request.		



BCPBA Baby Pin

The Cranky Pole and Mega-Studio Pole have been discontinued (March 2011).

Fixed length Drop Down poles are available from 6" to 36" which can be coupled together to make longer poles. One end has 1/2" male thread stud. The other has 1/2" female socket. Use with standard lighting clamps and 1/2" bolts or 1/2" threaded accessories.

Priced on request.

Accessories for Cranky-Pole and Studio Pole:

BCPBA	Baby pin, steel, 5/8" dia by 4-1/8" long has 1/2" threads to screw into bottom of Cranky-Pole or Studio Pole to attach lights that have 5/8" socket	\$ 11.75
MCPS	Stirrup connector for Cranky-Pole to hang lights that have c-clamp.....	\$ 20.00
MCPSR	1-1/8" socket connector for Cranky-Pole to hang large studio lights that have 1-1/8" stud.	\$ 50.00